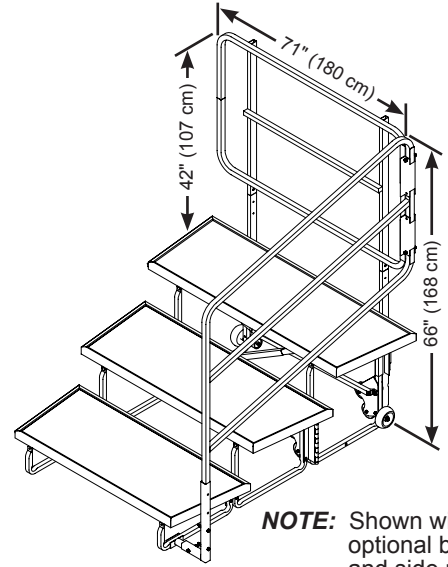


Tourmaster® Standing Risers

- 6' x 18" (183 x 46 cm) unit 130 lbs (59 kg).
- 4' x 18" (122 x 46 cm) unit 103 lbs (47 kg).
- 4'7" x 24" (140 x 61 cm) unit 127 lbs (58 kg).
- Load rating at 125 lbf/ft² (6 kN/m²)
- Portable 3-step unit, accordion style design folds compactly.
- Ideal for groups that travel.
- Frame is 7/8" (22 mm) 14-gauge square tubing.
- Steps are 19/32" (16 mm) plywood covered with high quality polyester non-woven Grey carpet made from 100% certified post-consumer recycled plastic bottles.
- Step edging is Grey powder-coat paint finish.
- Foot-pedal activated cross brace locks leg structure automatically.
- Built-in reversibility allows for straight or semi-circular configuration.
- Units have 3" (8 cm) non-marring rubber casters, built-in stair glides, two 4" (10 cm) wheels for positioning.
- Available in 4' (122 cm) and 6' (183 cm) lengths with 18" (46 cm) usable step depth and 24" (61 cm) usable step depth.
- Environmental attributes and LEED compliance for this product can be found at www.wengercorp.com/GREEN or by contacting your Wenger representative.
- Fifteen-year warranty.

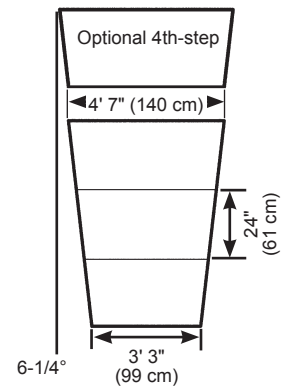


NOTE: Shown with optional back and side rail.

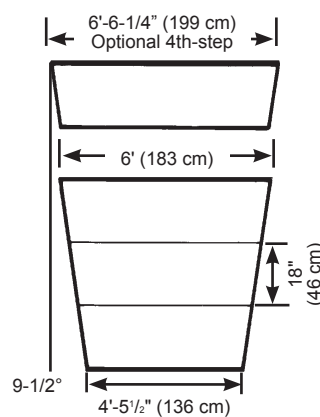
Accessories

- 4th Step Addition:
 - 6' x 18" (183 x 46 cm) unit 55 lbs (25 kg).
 - 4' x 18" (122 x 46 cm) unit 45 lbs (20 kg).
 - 24" (61cm) unit 55 lbs (25 kg).
- 4th Step Addition attaches to corresponding Tourmaster Riser with integral leg clamps, no tools needed.
- Back rails have positioning wheels so that backrail support bar does not encumber moving riser in setup position. Back rails break down without tools for easy travel.
- Back rails are Grey Metallic powder-coat paint finish with quick and easy clamp attachment to 3-step unit or 4th step addition. 42" (107 cm) height meets OSHA standards.
- 024E763 4' (122 cm) Back rail 24 lbs (11 kg).
- 024E778 6' (183 cm) Back rail 31 lbs (14 kg).
- 024F017 Optional Side rails 8 lbs (22 kg) are Grey metallic powder-coat paint finish and clamp to both the Back rail and the Riser.
- Optional side rails are designed for risers set-up in the standard configuration. They do not fit on units set up in the reverse configuration.

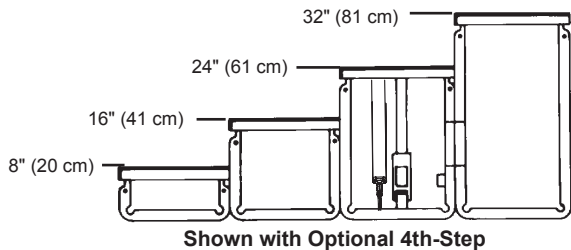
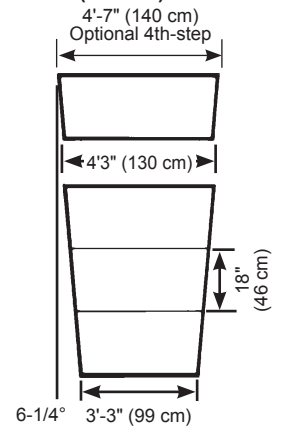
5' 1" (155 cm) Riser



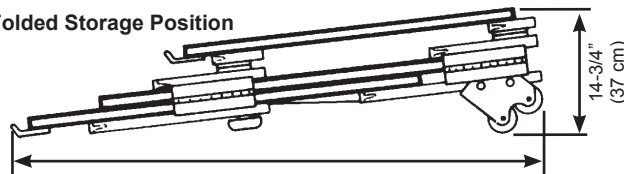
6' (183 cm) Riser



4' (122 cm) Riser



Folded Storage Position



6' x 18" (183 x 46 cm) Riser = 83 1/4" (211 cm) long x 20.5" (52.07 cm) wide
 4' x 18" (122 x 46 cm) Riser = 65 1/4" (166 cm) long x 20.6" (52.32 cm) wide
 24" (61 cm) Riser = 67" (211 cm) long x 26.8" (68.07 cm) wide



© 2017 Wenger Corporation
 USA/2017-01/W

