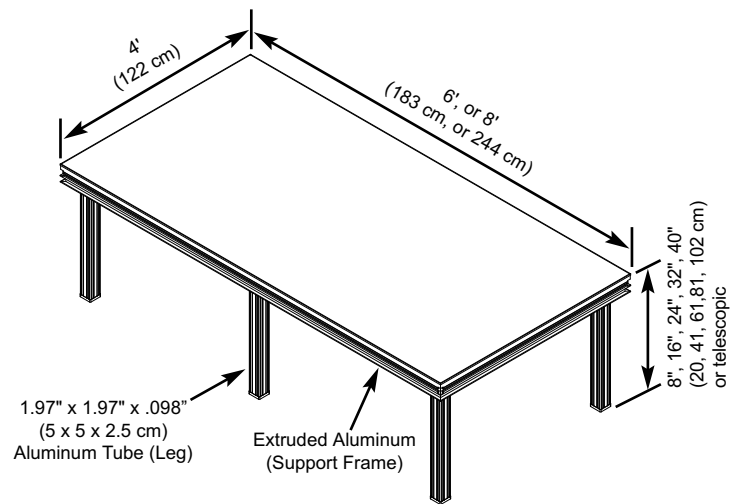
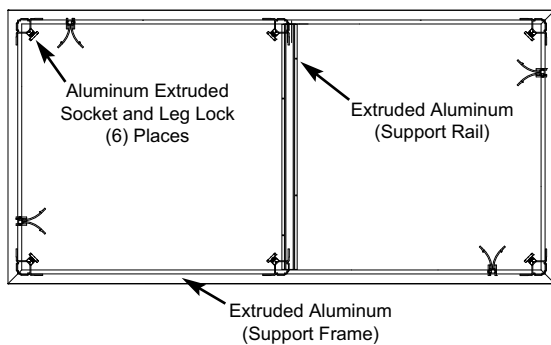


# Versalite® Seated Band/Orchestra Risers

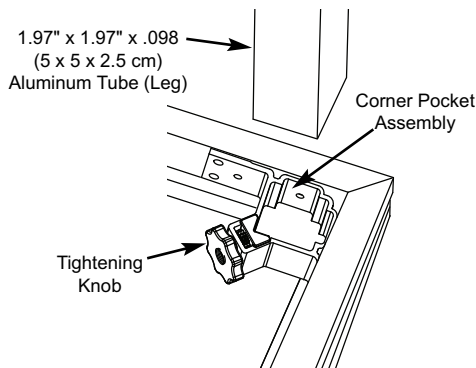
Your Performance Partner

- System consists of individual Versalite® platforms, combined to create a multi-level seating arrangement.
- Platforms are available in 4' x 6' (122 x 183 cm) and 4' x 8' (122 x 244 cm) surface dimensions and in standard heights of 8" (20 cm), 16" (41 cm), 24" (61 cm) and 32" (81 cm). Pie-shaped units are also available.
- Surface options:  
 Black Standard (Moroccan): Platforms are 3/4" (19 mm) plywood with slip resistant overlay recommended for general multi-purpose applications.  
 Black Heavy-Duty (Quadriple): Platforms are 3/4" (19 mm) plywood with an aggressive textured overlay for applications requiring greater slip resistance.  
 Natural Hardboard: Platforms are 3/4" (19 mm) using 1/2" (12 mm) plywood bonded between two faces of 1/8" (3 mm) tempered hard ply.  
 Grey Carpet: Manufacturer's standard grey carpet over a 5/8" (16 mm) plywood core.
- Deck units have six extruded aluminum leg sockets to accept the detachable legs.  
 Legs lock quickly into leg socket with the turn of a knob.
- Optional Leg Storage Clips are available.
- Frame and edging are fabricated from aluminum extrusion. The extrusion is designed with special grooves to protect the top surface edge, connect adjacent platform and attach all accessories.
- Chair stops are provided for each riser set.
- Environmental attributes and LEED compliance for this product can be found at [www.wengercorp.com/GREEN](http://www.wengercorp.com/GREEN) or by contacting your Wenger representative.
- Five-year warranty.

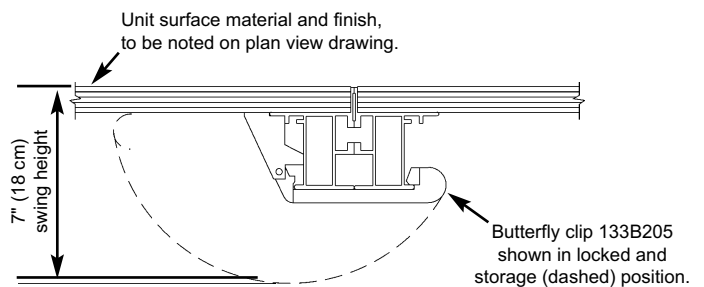
## Versalite® Typical Staging Unit



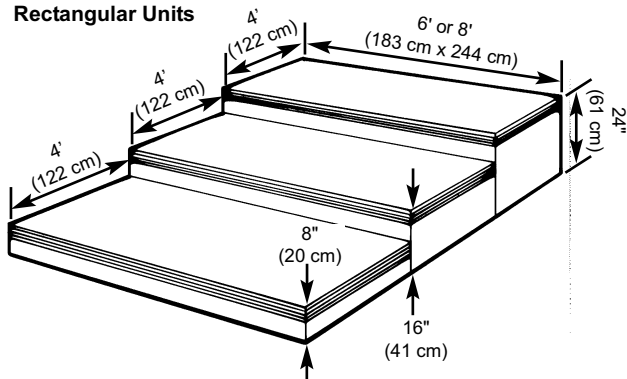
## Leg Pocket Detail



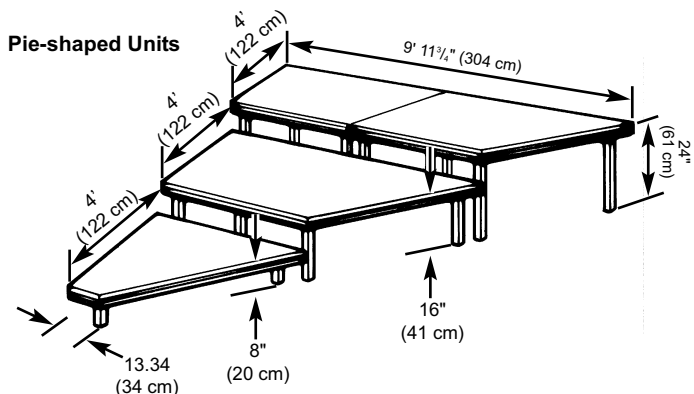
## Typical Unit to Unit Connection



## Rectangular Units



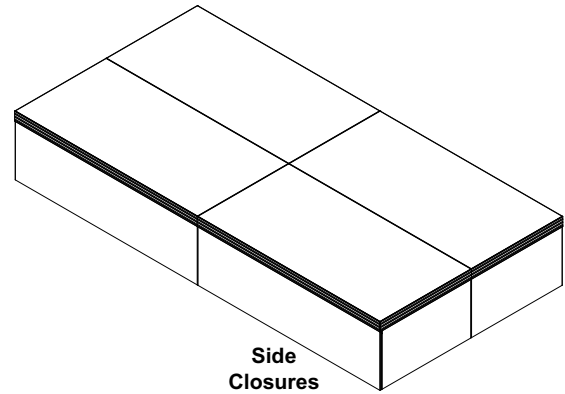
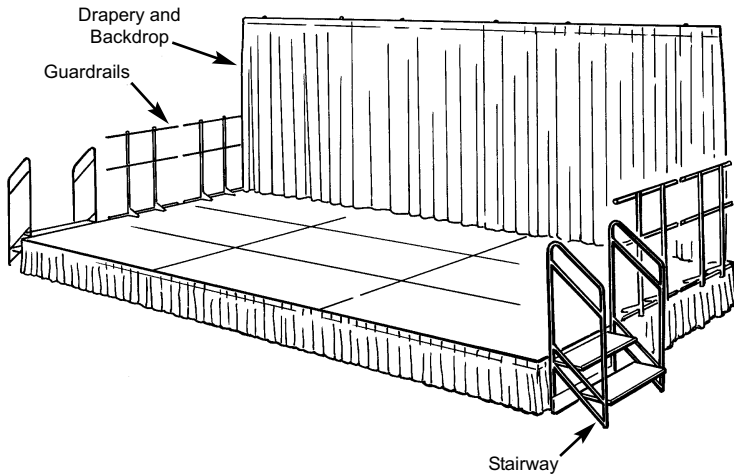
## Pie-shaped Units



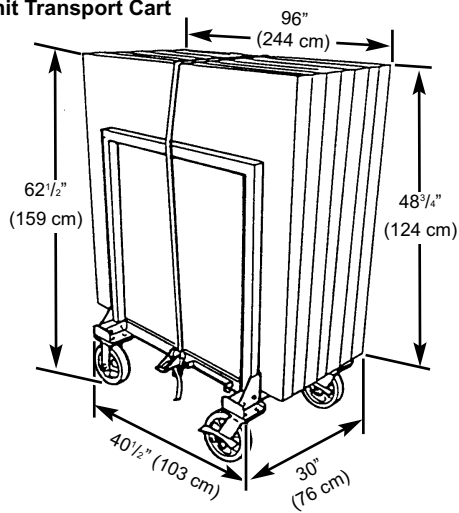
**Accessories**

- Side Closure Panels – Close each end of the riser arrangement.
- Front Closure Panels – Closes the gaps between elevations. Gives a finished-off, built-in look.
- Guardrails – Provide a measure of protection while adding a professional appearance.
- Transport Carts – Move units from one location to another. Enables efficient two-person handling.
- Guardrail Carts – Move guardrails from one location to another.

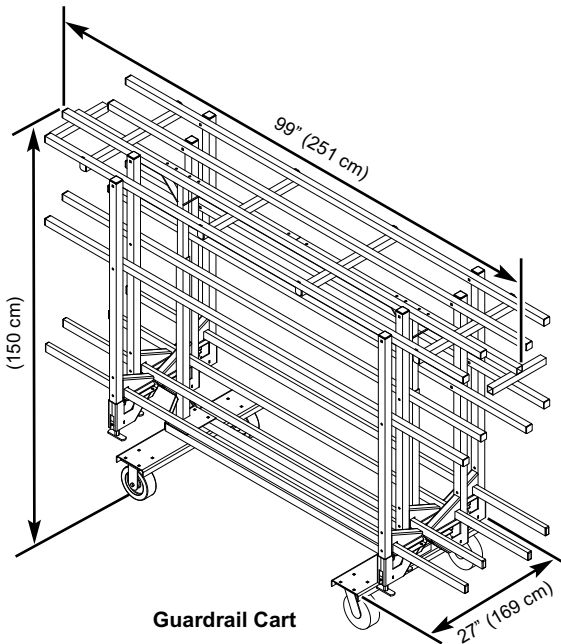
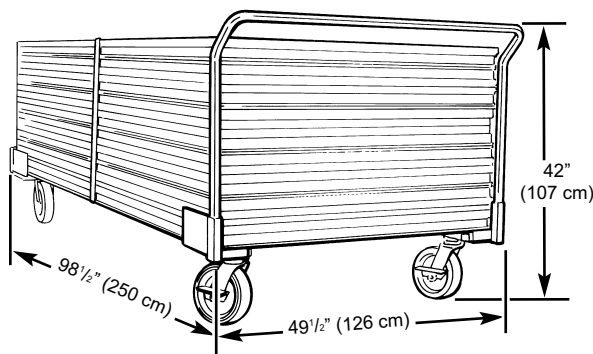
**Guardrail, Stairway, Backdrop and Drapery**



**8-Unit Transport Cart**



**10-Unit Transport Cart**



**WENGER CORPORATION**  
 555 Park Drive, PO Box 448  
 Owatonna, MN 55060-0448  
 Phone 800.4WENGER (493.6437)  
 Fax 507.455.4258  
 Customer Service 800.887.7145

**WENGER CORPORATION**  
**CANADIAN REPRESENTATIVE OFFICE**  
 Phone 800.268.0148

**WORLDWIDE**  
 Phone 507.455.4100  
 Fax 507.774.8576

**WEB SITE**  
[wengercorp.com](http://wengercorp.com)