



# Retrofit Streetlight System

## ILLUMADISK Lighting Fixture

MODEL | 40

Catalog number:
Type:
Notes:

### FEATURES & SPECIFICATIONS

#### Intended Use

Ideal for lighting main streets, municipalities and parking lots.

#### Construction

Proprietary aluminum heat management systems ensures excellent thermal management and low LED junction temperatures—the key to long LED life. The LED light engine is protected by a high-impact, UV stabilized, non-yellowing lens.

#### Electrical

Each power supply (driver) operates over voltages ranging from 120-277 or 377-480 volts (50/60 Hz). The driver is highly efficient with a power factor of greater than 0.98 and a total harmonic distortion (THD) of less than 20%. Fluctuations in line voltage have no effect on luminous output. Drivers have voltage surge protection to withstand high repetition noise transients. Unit meets radio frequency interference (RFI) emission limits set forth in FCC Title 47, Subpart B, Section 15.

#### Quality Assurance

Relume designs and builds its products to meet or exceed industry-quality standards and references including American National Standards Institute (ANSI), American Society for Testing and Materials International (ASTM), Council of the European Union (EC), Federal Trade Commission (FTC), Illuminating Engineering Society of North America (IESNA or IES), Institute of Electrical and Electronics Engineers (IEEE), National Electrical Manufacturers Association (NEMA), National Fire Protection Association (NFPA), Underwriters Laboratories (UL), Edison Testing Labs (ETL), Design Lights Consortium (DLC) and International Dark Sky (IDA). In production, each light fixture is certified by Relume's internal QA process. A quality control tracking label, including date of manufacture, is mounted on the inside of each fixture for full ISO 9001:2008 compliance. Relume guarantees unsurpassed quality by offering an industry leading 7 year limited warranty.

#### Installation

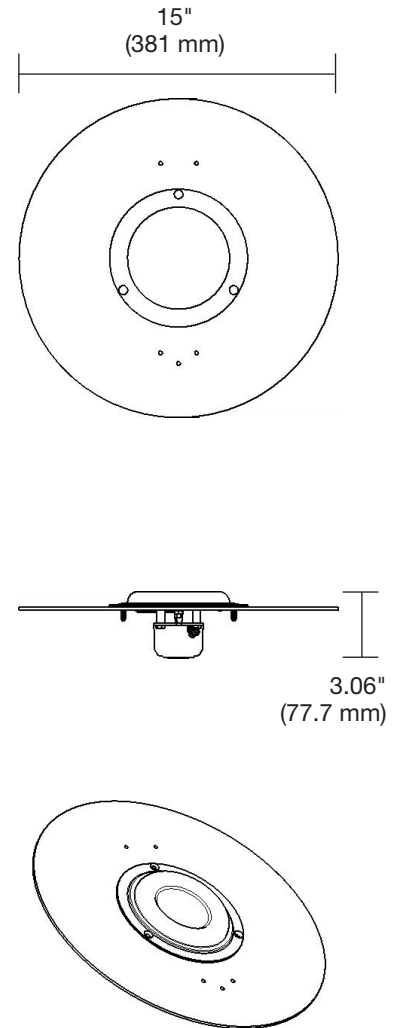
Installation usually takes 15 minutes or less and is easily accomplished by one worker. Connection to a photocell, if required, is straight forward.

Ordering example: P ID40 D4 35 CW UL 1

FAMILY	TYPE
P = Pedestrian	ID40 = Illumadisk 40

DISTRIBUTION	DRIVE CURRENT	COLOR TEMP	VOLTAGE	CONTROLS
D4 = Type IV D5 = Type V	35 = 350 mA 53 = 530 mA 70 = 700 mA	CW = Cool White (5500K) NW = Neutral White (4500 K) WW = Warm White (3500 K)	UL = 120/277 UH = 347/480	1 = Sentinel 2 = Sentinel Ready X = None

#### Retrofit LED Streetlight Standard Dimensions:



Relume Retrofit Streetlight System | FEATURES & SPECIFICATIONS



#### Warranty

Relume guarantees unsurpassed quality by offering an industry leading 7 year limited warranty. Contact Relume for complete warranty language, exceptions, and limitations.





# Retrofit Streetlight System

## ILLUMADISK Lighting Fixture

### PHOTOMETRY

#### ILLUMADISK 40 - TYPE V

Drive Current	Wattage	Lumens	Efficacy	LTL Report
350 mA	46	3562	77.4	# 26603
530 mA	58	4941	72.7	# 26605
700 mA	95	6341	66.7	# 26607

#### ILLUMADISK 40 - TYPE IV

Drive Current	Wattage	Lumens	Efficacy	LTL Report
350 mA	44.66	3261	73.0	# 27801
530 mA	66	4521	68.5	# 27800
700 mA	91.3	5795	63.5	# 27799

*Also available:*

#### ILLUMADISK 20 - TYPE V

Drive Current	Wattage	Lumens	Efficacy	LTL Report
350 mA	24	1954	81.4	# 29622
530 mA	35	2738	78.2	# 29623
700 mA	48.5	3576	73.7	# 29624

*All photometric testing was conducted by Luminaire Testing Laboratory, Inc.*

*Testing was performed in accordance with IES LM-79-08.*





# Retrofit Streetlight System

## ILLUMADISK Lighting Fixture

Catalog number:
Type:
Notes:

MODEL | 40

### PHOTOMETRY

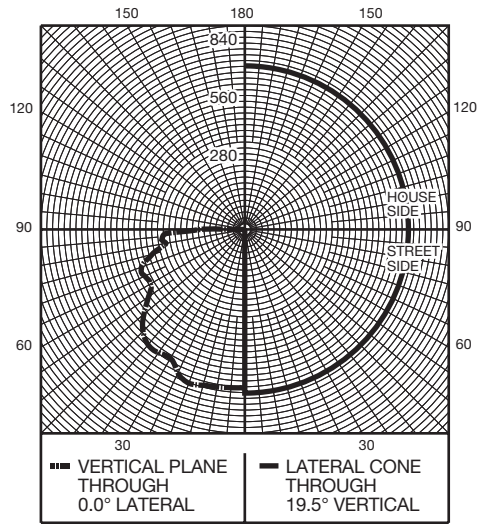
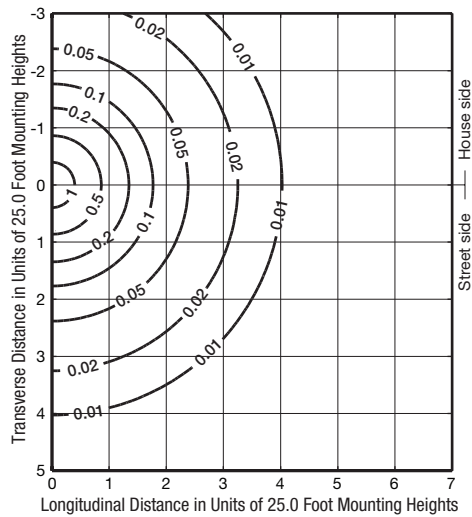
## ILLUMADISK 40 - TYPE V : 350mA

Initial Delivered Lumens: 3562  
System Watts: 46W

LTL Report #26603

BUG Rating:

B	U	G
2	2	2



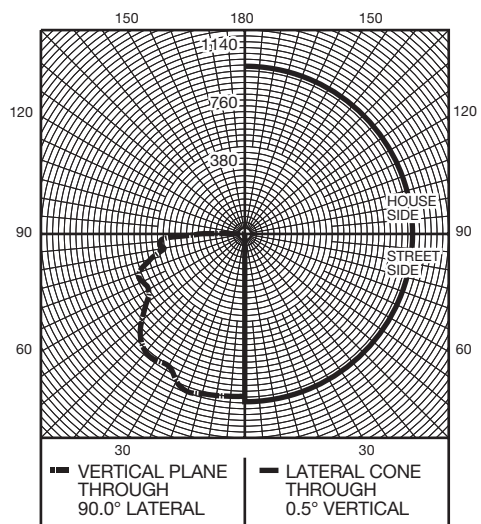
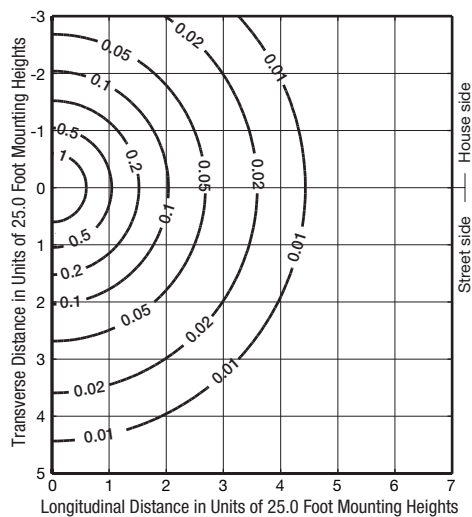
## ILLUMADISK 40 - TYPE V : 530mA

Initial Delivered Lumens: 4941  
System Watts: 68W

LTL Report #26605

BUG Rating:

B	U	G
2	2	3



## ILLUMADISK 40 - TYPE V : 700mA (Other side)





# Retrofit Streetlight System

## ILLUMADISK Lighting Fixture

### PHOTOMETRY

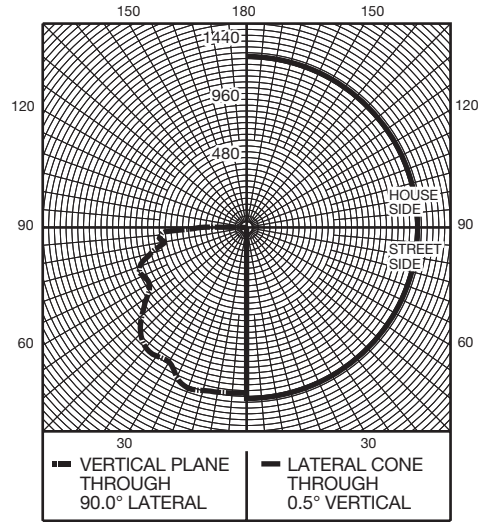
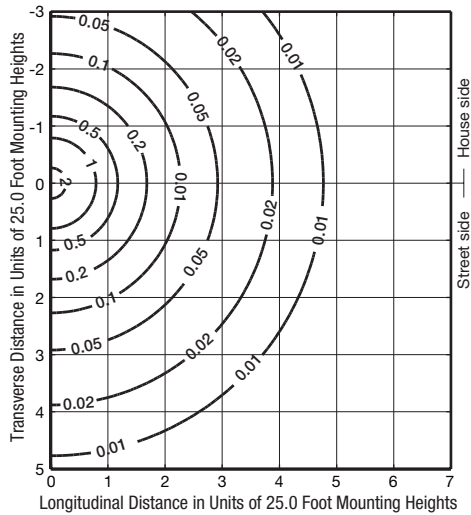
## ILLUMADISK 40 - TYPE V : 700mA

Initial Delivered Lumens: 6341  
System Watts: 95W

LTL Report #26607

BUG Rating:

B	U	G
2	2	3



Relume Retrofit Streetlight System | FEATURES & SPECIFICATIONS

All photometric testing was conducted by Luminaire Testing Laboratory, Inc.

Testing was performed in accordance with IES LM-79-08.





# Retrofit Streetlight System

## ILLUMADISK Lighting Fixture

Catalog number:
Type:
Notes:

MODEL | 40

### PHOTOMETRY

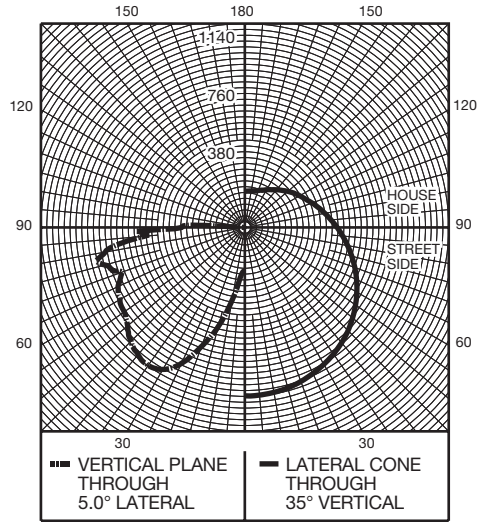
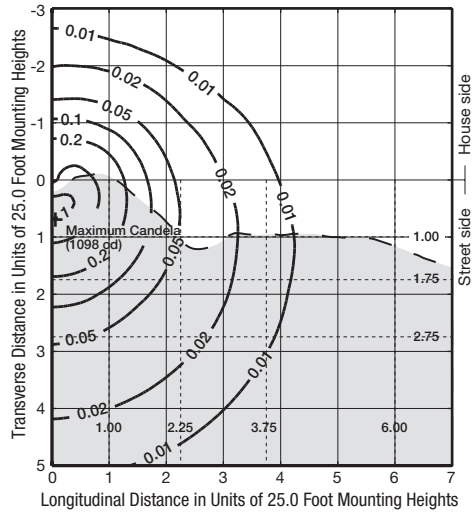
## ILLUMADISK 40 - TYPE IV : 350mA

Initial Delivered Lumens: 3261  
System Watts: 44.66W

LTL Report #27801

BUG Rating:

B	U	G
1	3	3



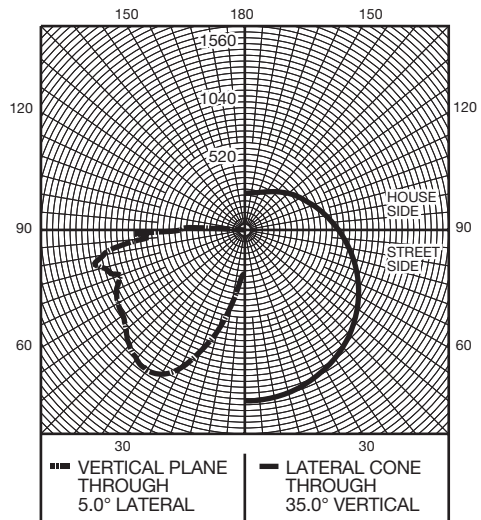
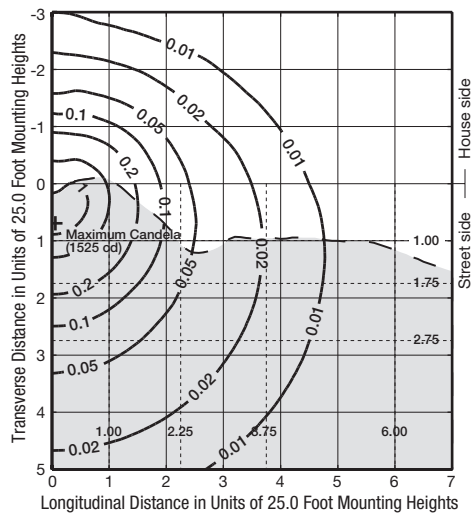
## ILLUMADISK 40 - TYPE IV : 530mA

Initial Delivered Lumens: 4521  
System Watts: 66W

LTL Report #27800

BUG Rating:

B	U	G
1	3	3



## ILLUMADISK 40 - TYPE IV : 700mA (Other side)





# Retrofit Streetlight System

## ILLUMADISK Lighting Fixture

### PHOTOMETRY

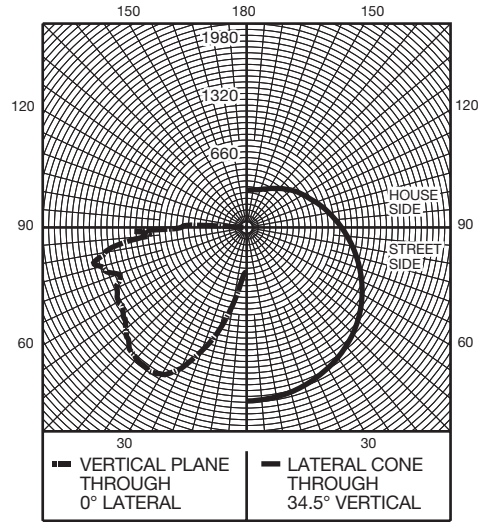
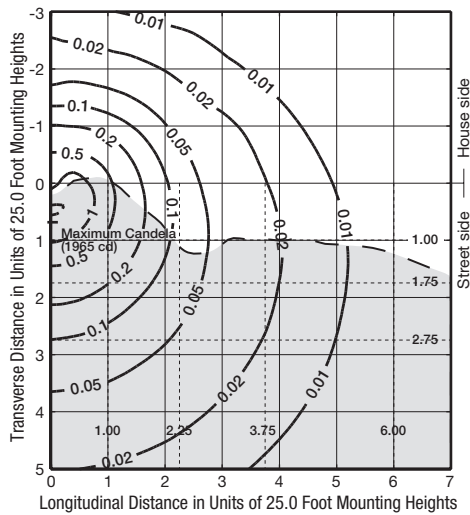
## ILLUMADISK 40 - TYPE IV : 700mA

Initial Delivered Lumens: 5795  
System Watts: 91.3W

LTL Report #27799

BUG Rating:

B	U	G
1	3	4



■ VERTICAL PLANE THROUGH 0° LATERAL  
■ LATERAL CONE THROUGH 34.5° VERTICAL

Relume Retrofit Streetlight System

FEATURES & SPECIFICATIONS

All photometric testing was conducted by Luminaire Testing Laboratory, Inc.

Testing was performed in accordance with IES LM-79-08.

